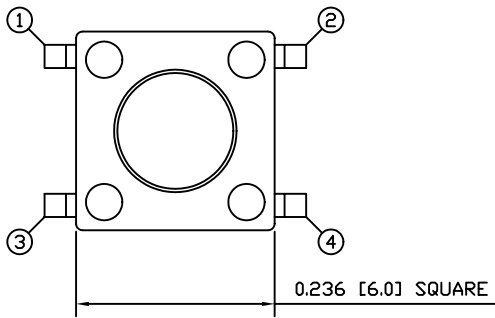
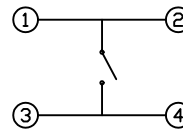


A



**SCHEMATIC**

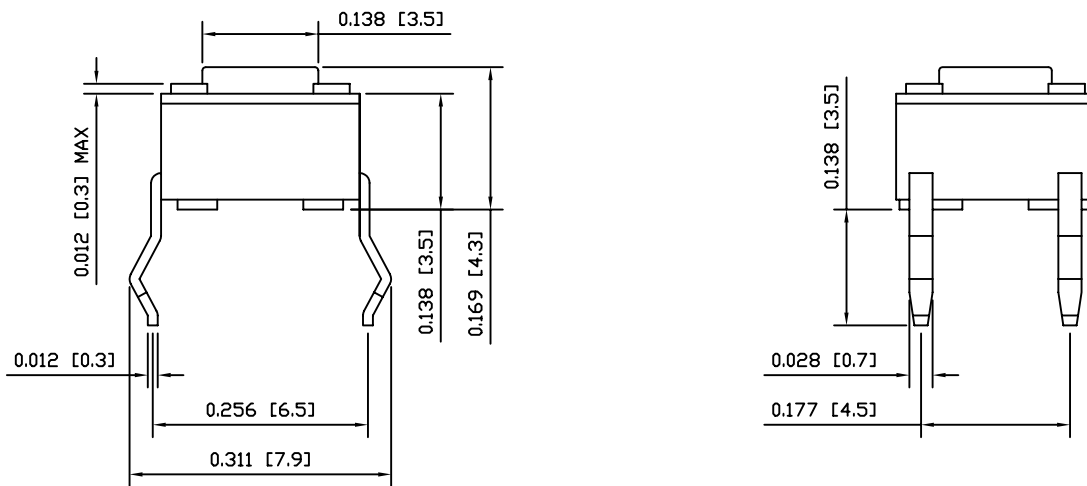


**SPECIFICATIONS**

- FUNCTION:  
1P1T OFF-(ON)
- RATINGS:  
50mA 12VDC
- OPERATING FORCE:  
160±30gf
- TRAVEL:  
0.010±0.004 [0.25±0.1]
- CONTACT RESISTANCE:  
Initial: 100mΩ Max. at 10mA 5VDC
- INSULATION RESISTANCE:  
100MΩ at 100VDC
- WITHSTAND VOLTAGE:  
250VAC For 1 Minute
- ELECTRICAL LIFE:  
100,000 Cycles
- TEMPERATURE:  
Operation: -20°C to 70°C  
Storage: -30°C to 80°C
- VIBRATION TEST:  
MIL-STD 202 METHOD 201
- SHOCK TEST:  
MIL-STD 202 METHOD 213
- APPROVALS:

A

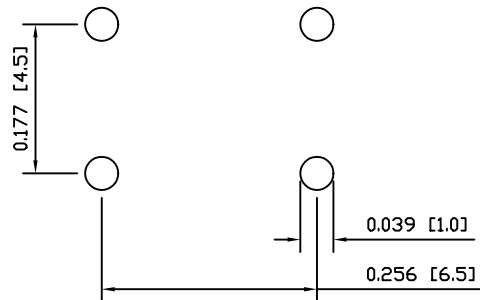
B



B

C

**SUGGESTED PCB LAYOUT**



C

D

**MATERIALS**

- BASE:  
Polyamide 6/6 (PA66), UL94 V-2
- COVER:  
Polyethylene Terephthalate Film (PET)
- ACTUATOR:  
Polyamide 6/6 (PA66), UL94 V-2
- CONTACTS:  
Silver Plated Phosphor Bronze
- TERMINALS:  
Silver Plated Brass

D

**LAMB INDUSTRIES** P.O. Box 25110  
Portland, OR 97298  
DRAWING NUMBER: 48-LJTP1230.dwg  
LAST REVISION: FEB. 20, 2006

UNLESS OTHERWISE SPECIFIED,  
DIMENSIONS ARE IN INCHES [MILLIMETERS]  
TOLERANCES ARE:  
DEC .X±0.2 ANG ± 1°  
.XXX±0.008 DRAWING NOT TO SCALE  
DRAWN BY: CARL BUCHHEIT

**LJTP1230**