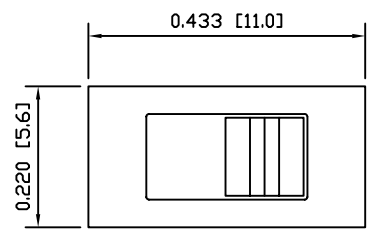
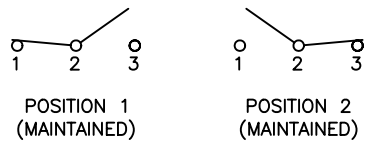


A



SCHEMATIC



SPECIFICATIONS

FUNCTION:  
1P2T ON-ON

RATINGS:  
0.5A 50VDC

CONTACT RESISTANCE:  
Initial: 20mΩ Max. at 5VDC

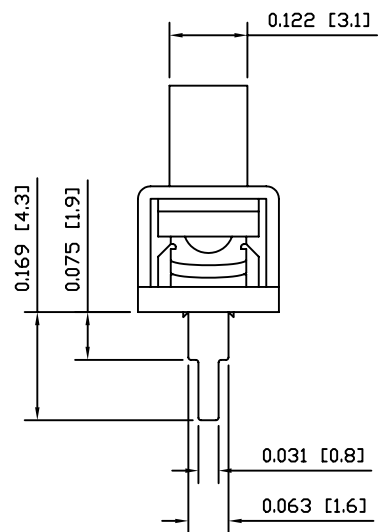
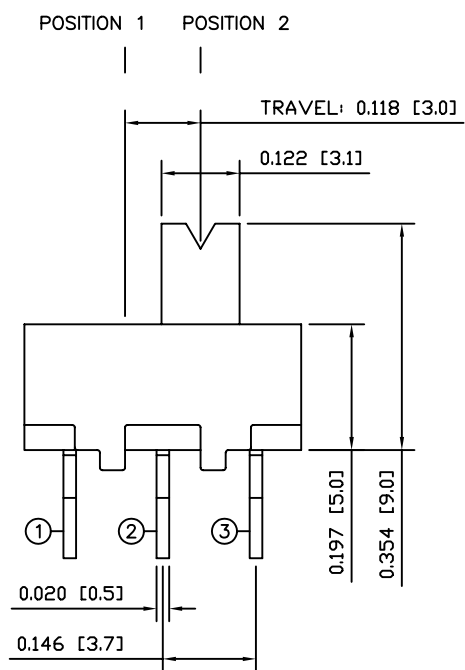
INSULATION RESISTANCE:  
100MΩ Min. at 500VDC

WITHSTAND VOLTAGE:  
500VAC For 1 Minute

ELECTRICAL LIFE:  
10,000 Cycles Min.

A

B



APPROVALS:



B

C

MATERIALS

BASE:  
Phenolic Board

COVER:  
Steel

ACTUATOR:  
Nylon

BALL:  
Steel

SPRING:  
Steel

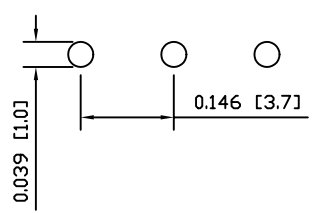
CONTACT:  
Silver Plated Brass

TERMINALS:  
Silver Plated Brass

C

D

SUGGESTED PCB LAYOUT



UNLESS OTHERWISE SPECIFIED,  
DIMENSIONS ARE IN INCHES [MILLIMETERS]  
TOLERANCES ARE:

DEC .X±0.2	ANG ± 1°
.XXX±0.008	DRAWING NOT TO SCALE
DRAWN BY: CARL BUCHHEIT	



LAST REVISION:  
APR. 18, 2006

DRAWING NUMBER: 50-SLG1201-4V.dwg

SLG1201-4V

D