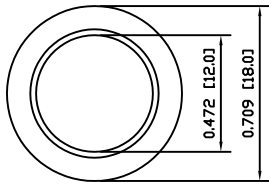


8 7 6 5 4 3 2 1

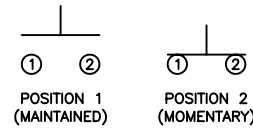
A



COLORS AND FINISH

BEZEL:
Stainless Steel
ACTUATOR:
Stainless Steel

SCHEMATIC

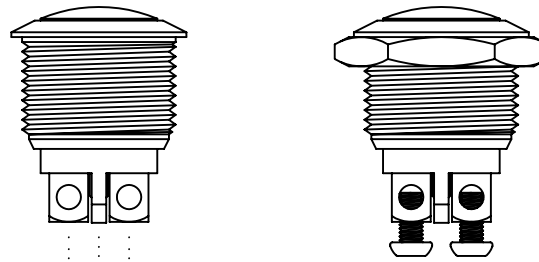
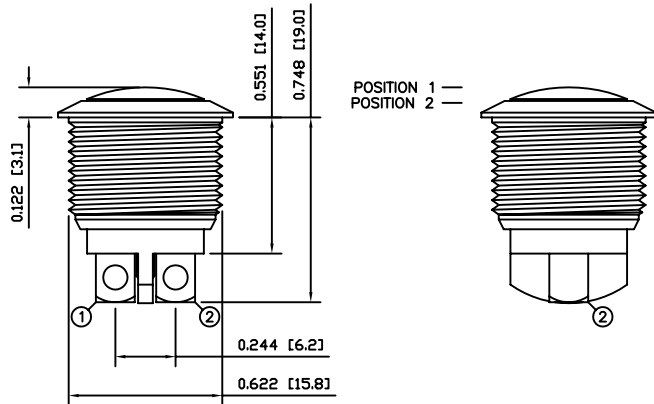


SPECIFICATIONS

FUNCTION:
1P1T OFF-(ON)
RATING:
2A 48VDC
CONTACT RESISTANCE:
Initial: 50mΩ Max. at 1A 12VDC
INSULATION RESISTANCE:
1,000MΩ Min. at 500VDC
DIELECTRIC STRENGTH:
2,000VAC Min. for 1 Minute
ELECTRICAL LIFE:
200,000 Cycles Min.
MECHANICAL LIFE:
1,000,000 Cycles Min.
INTRUSION PROTECTION:
IP65
TEMPERATURE:
Operating: -20°C to 70°C

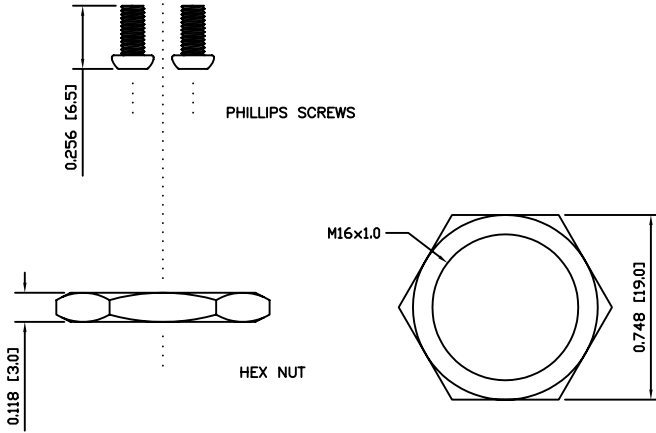
A

B



B

C



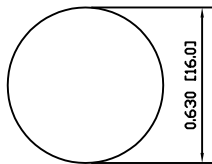
MATERIALS

BUSHING:
Stainless Steel (304)
BASE:
Polybutylene Terephthalate (PBT), UL94 V-2
ACTUATOR:
Stainless Steel (304)
HARDWARE:
Nickel Plated Brass (H59)
SEALING:
Silicone
INNER ASSEMBLY:
Polyamide 6/6 (PA66)
Brass (H62)
SPRING:
Stainless Steel (304)
CONTACTS:
Silver Plated Brass (H62)
TERMINALS:
Silver Plated Brass (H62)
Steel (A3)

C

D

SUGGESTED PANEL CUTOUT



MAXIMUM PANEL THICKNESS: 0.236 [6.0mm]

EXPLODED VIEW

ASSEMBLED VIEW

D

8 7 6 5 4 3 2 1

UNLESS OTHERWISE SPECIFIED, DIMENSIONS ARE IN INCHES [MILLIMETERS] TOLERANCES ARE:	
DEC .X±0.2	ANG ± 1°
.XXX±0.008	DRAWING NOT TO SCALE
DRAWN BY: CARL BUCHHEIT	

	P.O. Box 25110 Portland, OR 97298	LAST REVISION: SEPT. 13, 2007
	DRAWING NUMBER: 52-PV2S640SS.dwg	
<h1>PV2S640SS</h1>		