

**SPECIFICATIONS**

FUNCTION:  
2P1T OFF-(ON), ON-(OFF)

RATING:  
2A 24VDC

ILLUMINATION VOLTAGE:  
12V

CONTACT RESISTANCE:  
Initial: 50mΩ Max. at 1A 12VDC

INSULATION RESISTANCE:  
1,000MΩ Min. at 500VDC

DIELECTRIC STRENGTH:  
2,000VAC Min. for 1 Minute

ELECTRICAL LIFE:  
50,000 Cycles Min.

MECHANICAL LIFE:  
1,000,000 Cycles Min.

INGRESS PROTECTION:  
IP65

TEMPERATURE:  
Operating: -20°C to 70°C

**APPROVALS:**

**RoHS**

**MATERIALS**

BUSHING:  
Stainless Steel

BASE:  
Polybutylene Terephthalate (PBT), UL94 V-2

ACTUATOR:  
Stainless Steel  
Polycarbonate (PC), UL94 V-2

HARDWARE:  
Nickel Plated Brass (H59)

SEALING:  
Silicone  
Stainless Steel

INNER ASSEMBLY:  
Polyamide 6/6 (PA66)  
Brass (H59)

SPRING:  
Steel (Cr18Ni9)

CONTACTS:  
Silver Plated Copper

TERMINALS:  
Silver Plated Brass (H59)  
Steel (A3)


O-RING:  
Nitrile Butadiene Rubber (NBR)

**COLORS AND FINISH**

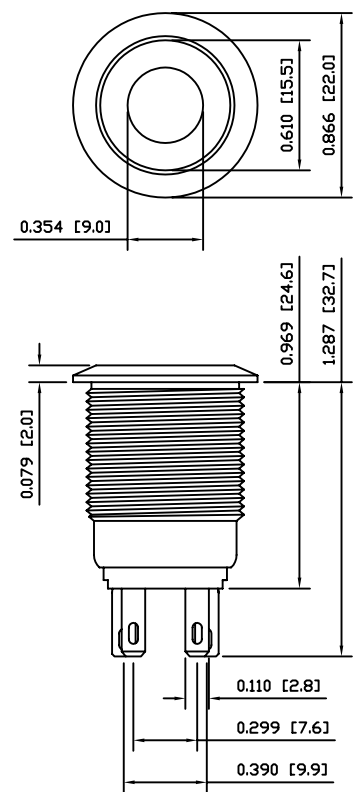
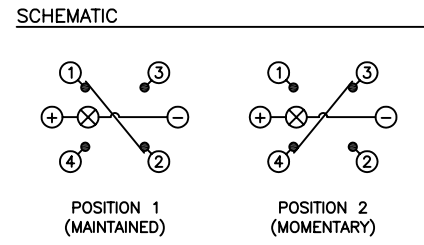
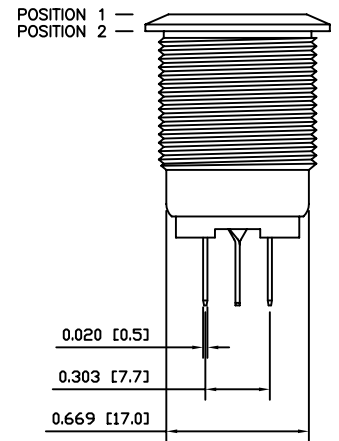
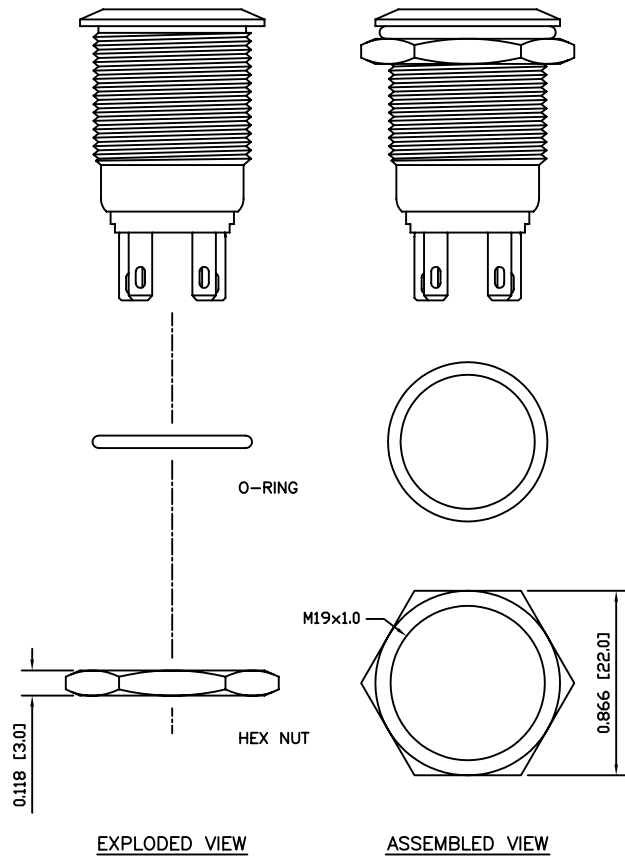
BEZEL:  
Stainless Steel

ACTUATOR:  
Stainless Steel

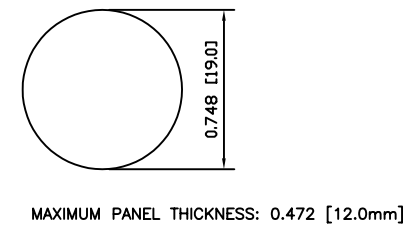
ILLUMINATION:  
Red

	P.O. Box 25110 Portland, OR 97298	LAST REVISION: SEPT. 12, 2007
	DRAWING NUMBER: 52-PV4F2YOSS-214.dwg	
PV4F2YOSS-214		

UNLESS OTHERWISE SPECIFIED, DIMENSIONS ARE IN INCHES [MILLIMETERS]	
TOLERANCES ARE:	
DEC .X±0.2	ANG ± 1°
.XXX±0.008	DRAWING NOT TO SCALE
DRAWN BY: CARL BUCHHEIT	



**SUGGESTED PANEL CUTOUT**



A

B

C

D

A

B

C

D