

**SPECIFICATIONS**

FUNCTION:  
2P1T OFF-(ON), ON-(OFF)

RATING:  
2A 24VDC

ILLUMINATION VOLTAGE:  
2V

CONTACT RESISTANCE:  
Initial: 50mΩ Max. at 1A 12VDC

INSULATION RESISTANCE:  
1,000MΩ Min. at 500VDC

DIELECTRIC STRENGTH:  
2,000VAC Min. for 1 Minute

ELECTRICAL LIFE:  
50,000 Cycles Min.

MECHANICAL LIFE:  
1,000,000 Cycles Min.

INGRESS PROTECTION:  
IP65

TEMPERATURE:  
Operating: -20°C to 70°C

**APPROVALS:**

**RoHS**

**MATERIALS**

BUSHING:  
Stainless Steel

BASE:  
Polybutylene Terephthalate (PBT), UL94 V-2

ACTUATOR:  
Stainless Steel  
Polycarbonate (PC), UL94 V-2

HARDWARE:  
Nickel Plated Brass (H59)

SEALING:  
Silicone  
Stainless Steel

INNER ASSEMBLY:  
Polyamide 6/6 (PA66)  
Brass (H59)

SPRING:  
Steel (Cr18Ni9)

CONTACTS:  
Silver Plated Copper

TERMINALS:  
Silver Plated Brass (H59)  
Steel (A3)

O-RING:  
Nitrile Butadiene Rubber (NBR)

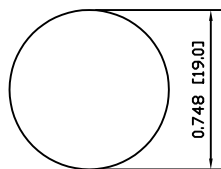
**COLORS AND FINISH**

BEZEL:  
Stainless Steel

ACTUATOR:  
Stainless Steel

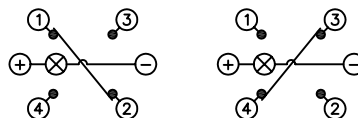
ILLUMINATION:  
White

**SUGGESTED PANEL CUTOUT**



MAXIMUM PANEL THICKNESS: 0.472 [12.0mm]

**SCHEMATIC**

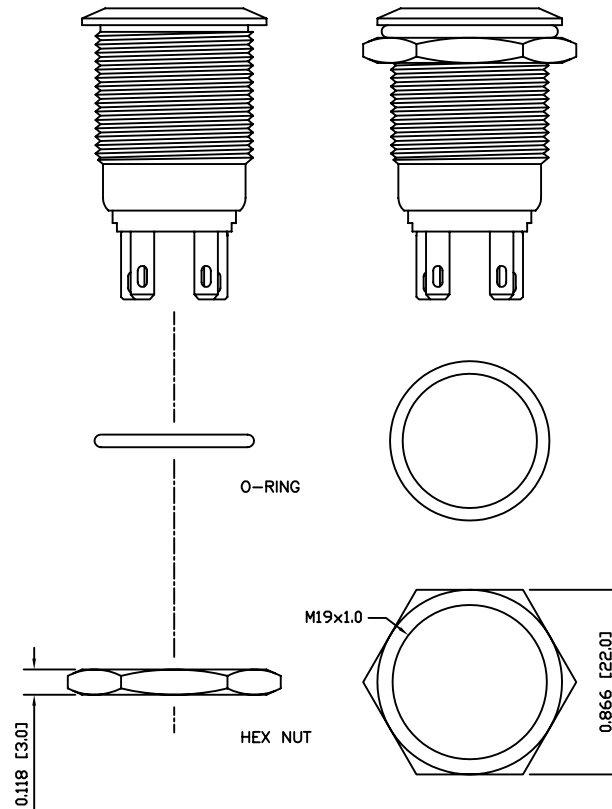


POSITION 1  
(MAINTAINED)

POSITION 2  
(MOMENTARY)

**EXPLODED VIEW**

**ASSEMBLED VIEW**



0.118 [3.0]

HEX NUT

M19x1.0

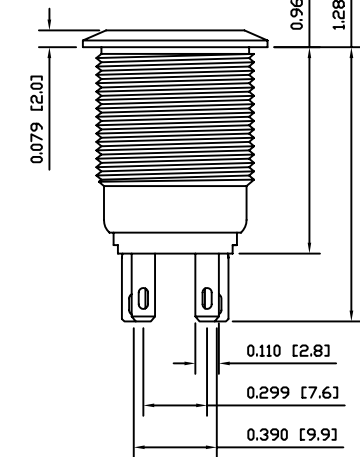
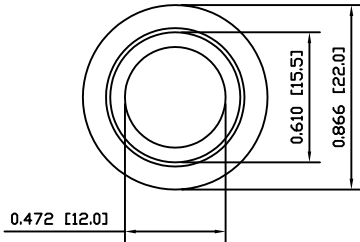
O-RING

POSITION 1 —  
POSITION 2 —

0.020 [0.5]  
0.303 [7.7]  
0.669 [17.0]

0.969 [24.6]  
1.287 [32.7]

0.110 [2.8]  
0.299 [7.6]  
0.390 [9.9]



A

B

C

D

A

B

C

D

8

7

6

5

4

3

2

1

8

7

6

5

4

3

2

1

UNLESS OTHERWISE SPECIFIED, DIMENSIONS ARE IN INCHES [MILLIMETERS] TOLERANCES ARE:	
DEC .X±0.2	ANG ± 1°
.XXX±0.008	DRAWING NOT TO SCALE
DRAWN BY: KEITH MARCOE	

**LAMB**  
INDUSTRIES P.O. Box 25110  
Portland, OR 97298

LAST REVISION:  
SEPT. 12, 2007

DRAWING NUMBER: 52-PV4F2YOSS-301.dwg

**PV4F2YOSS-301**