

**SPECIFICATIONS**

FUNCTION:  
2P1T OFF-(ON), ON-(OFF)

RATING:  
2A 24VDC

ILLUMINATION VOLTAGE:  
125V

CONTACT RESISTANCE:  
Initial: 50mΩ Max. at 1A 12VDC

INSULATION RESISTANCE:  
1,000MΩ Min. at 500VDC

DIELECTRIC STRENGTH:  
2,000VAC Min. for 1 Minute

ELECTRICAL LIFE:  
50,000 Cycles Min.

MECHANICAL LIFE:  
1,000,000 Cycles Min.

INGRESS PROTECTION:  
IP65

TEMPERATURE:  
Operating: -20°C to 70°C

**APPROVALS:**

**RoHS**

**MATERIALS**

**BUSHING:**  
Stainless Steel

**BASE:**  
Polybutylene Terephthalate (PBT), UL94 V-2

**ACTUATOR:**  
Stainless Steel  
Polycarbonate (PC), UL94 V-2

**HARDWARE:**  
Nickel Plated Brass (H59)

**SEALING:**  
Silicone  
Stainless Steel

**INNER ASSEMBLY:**  
Polyamide 6/6 (PA66)  
Brass (H59)

**SPRING:**  
Steel (Cr18Ni9)

**CONTACTS:**  
Silver Plated Copper

**TERMINALS:**  
Silver Plated Brass (H59)  
Steel (A3)

**O-RING:**  
Nitrile Butadiene Rubber (NBR)

**COLORS AND FINISH**

**BEZEL:**  
Stainless Steel

**ACTUATOR:**  
Stainless Steel

**ILLUMINATION:**  
Red

**LAMB INDUSTRIES** P.O. Box 25110  
Portland, OR 97298

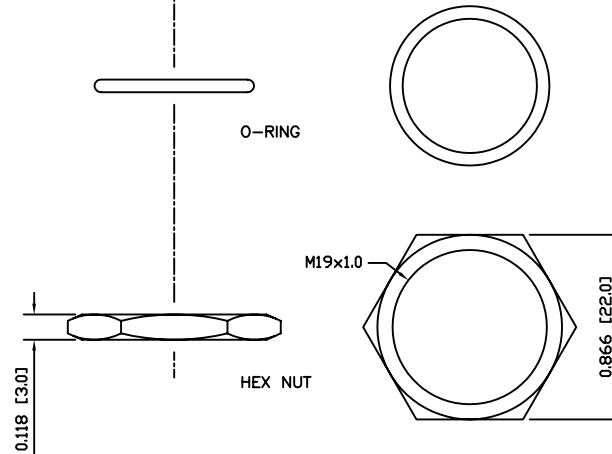
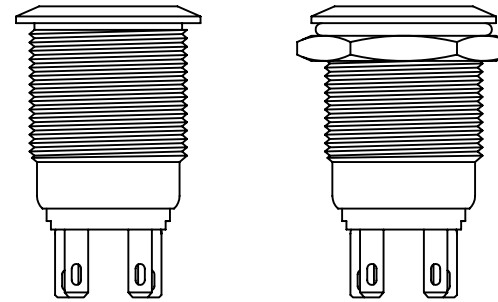
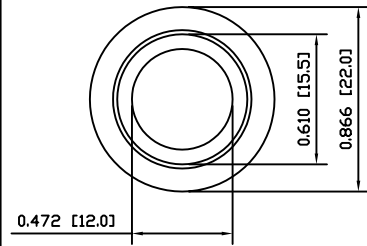
LAST REVISION:  
SEPT. 12, 2007

DRAWING NUMBER: 52-PV4F2YOSS-316.dwg

UNLESS OTHERWISE SPECIFIED,  
DIMENSIONS ARE IN INCHES [MILLIMETERS]  
TOLERANCES ARE:

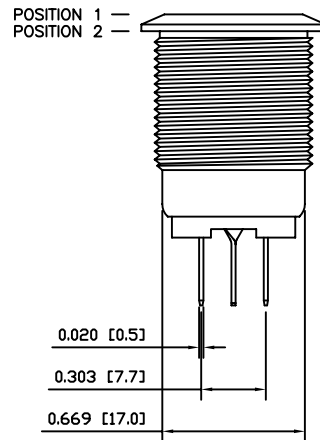
DEC .X±0.2	ANG ± 1°
.XXX±0.008	DRAWING NOT TO SCALE
DRAWN BY: KEITH MARCOE	

**PV4F2YOSS-316**

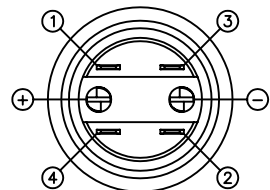
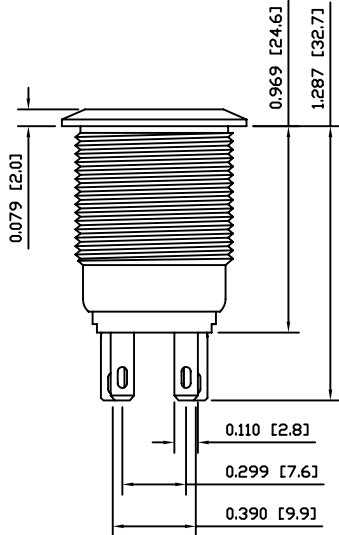


**EXPLODED VIEW**

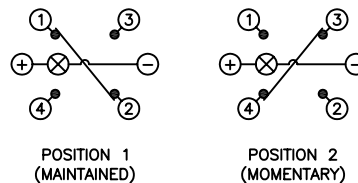
**ASSEMBLED VIEW**



POSITION 1 —  
POSITION 2 —



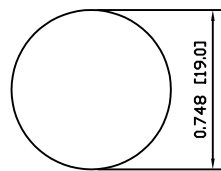
**SCHEMATIC**



POSITION 1  
(MAINTAINED)

POSITION 2  
(MOMENTARY)

**SUGGESTED PANEL CUTOUT**



MAXIMUM PANEL THICKNESS: 0.472 [12.0mm]