

SPECIFICATIONS

FUNCTION:
2P1T OFF-(ON), ON-(OFF)

RATING:
2A 24VDC

ILLUMINATION VOLTAGE:
2V

CONTACT RESISTANCE:
Initial: 50mΩ Max. at 1A 12VDC

INSULATION RESISTANCE:
1,000MΩ Min. at 500VDC

DIELECTRIC STRENGTH:
2,000VAC Min. for 1 Minute

ELECTRICAL LIFE:
50,000 Cycles Min.

MECHANICAL LIFE:
1,000,000 Cycles Min.

INGRESS PROTECTION:
IP65

TEMPERATURE:
Operating: -20°C to 70°C

APPROVALS:

RoHS

MATERIALS

BUSHING:
Stainless Steel

BASE:
Polybutylene Terephthalate (PBT), UL94 V-2

ACTUATOR:
Stainless Steel
Polycarbonate (PC), UL94 V-2

HARDWARE:
Nickel Plated Brass (H59)

SEALING:
Silicone
Stainless Steel

INNER ASSEMBLY:
Polyamide 6/6 (PA66)
Brass (H59)

SPRING:
Steel (Cr18Ni9)

CONTACTS:
Silver Plated Copper

TERMINALS:
Silver Plated Brass (H59)
Steel (A3)


O-RING:
Nitrile Butadiene Rubber (NBR)

COLORS AND FINISH

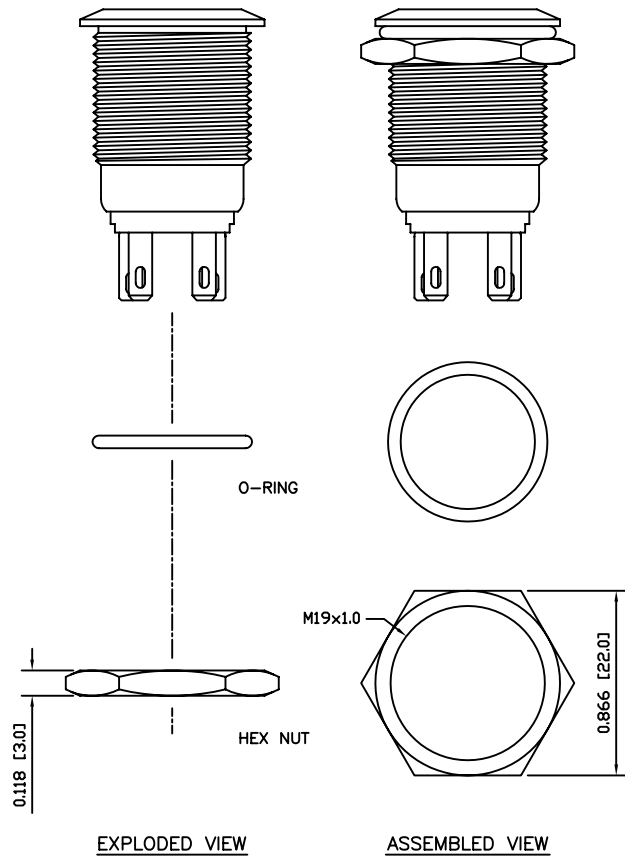
BEZEL:
Stainless Steel

ACTUATOR:
Stainless Steel

ILLUMINATION:
Blue

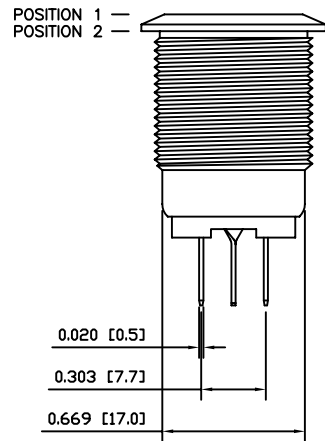
	P.O. Box 25110 Portland, OR 97298	LAST REVISION: SEPT. 12, 2007
	DRAWING NUMBER: 52-PV4F2YOSS-341.dwg	
<h1>PV4F2YOSS-341</h1>		

UNLESS OTHERWISE SPECIFIED, DIMENSIONS ARE IN INCHES [MILLIMETERS]	
TOLERANCES ARE:	
DEC .X±0.2	ANG ± 1°
.XXX±0.008	DRAWING NOT TO SCALE
DRAWN BY: KEITH MARCOE	

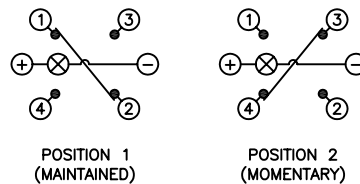


EXPLODED VIEW

ASSEMBLED VIEW



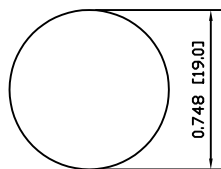
SCHMATIC



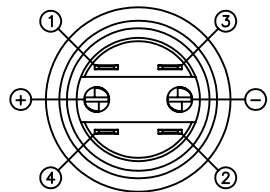
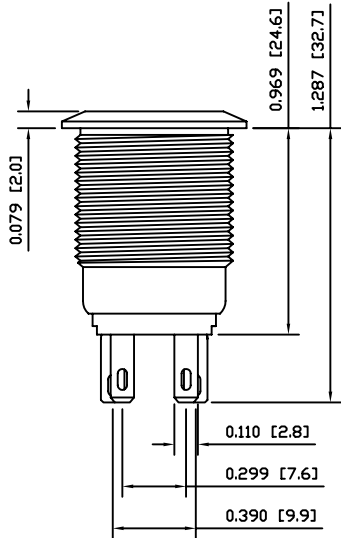
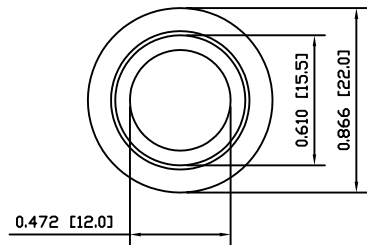
POSITION 1
(MAINTAINED)

POSITION 2
(MOMENTARY)

SUGGESTED PANEL CUTOUT



MAXIMUM PANEL THICKNESS: 0.472 [12.0mm]



A

B

C

D

A

B

C

D

8 7 6 5 4 3 2 1

8 7 6 5 4 3 2 1