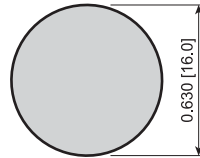


### Suggested Panel Cutout



Maximum Panel Thickness: 0.236 [6.0]

### FEATURES:

- Vandal Resistant
- Water Resistant
- Long Life Expectancy

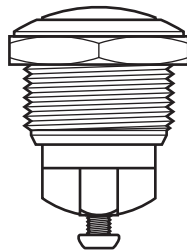
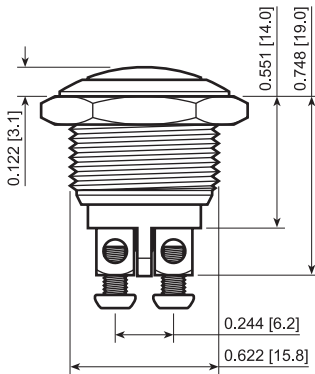
### SPECIFICATIONS:

**RATING:** 2A 48VDC  
**TEMPERATURE:** -20°C to 70°C  
**ELECTRICAL LIFE:** 200,000 Cycles  
**CONTACT RESISTANCE:** 50mΩ Max. at 1A 12VDC  
**INSULATION RESISTANCE:** 1,000MΩ Min.  
**DIELECTRIC STRENGTH:** 2,000VAC for 1 Minute  
**INGRESS PROTECTION:** IP65

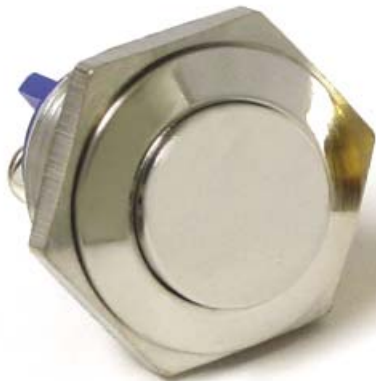
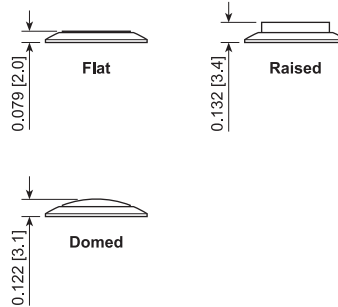
### MATERIALS:

**BUSHING:** Gold Plated Brass  
 Nickel Plated Brass  
 Stainless Steel  
**ACTUATOR:** Gold Plated Brass  
 Nickel Plated Brass  
 Stainless Steel  
**BASE:** Polybutylene Terephthalate, UL94 V-2  
**SEALING:** Silicone  
**INNER ASSEMBLY:** Polyamide 6/6  
 Brass  
**SPRING:** Stainless Steel  
**CONTACT:** Silver Plated Brass  
**TERMINALS:** Silver Plated Brass  
 Steel  
**HARDWARE:** Nickel Plated Brass

PUSHBUTTON



### Actuator Options



PV2H640SS



PV2S640GG



PV2F640SS



PV2S640NN

Series	Actuator Options	Terminal	Function	Rating	Body Finish	Actuator Finish	Contact Material
PV2	F - Flat H - High S - Domed	6 - Screw	1 Pole: 4 - Off-(On)	0 - 2A 48VDC	G - Gold N - Nickel S - Polished Stainless Steel B - Brushed Stainless Steel	G - Gold N - Nickel S - Polished Stainless Steel B - Brushed Stainless Steel	None - Silver G - Gold

### STANDARD PART NUMBERS:

- PV2F640GG 1P Off-(On)  
Flat Actuator, Gold Plated Finish
- PV2F640NN 1P Off-(On)  
Flat Actuator, Nickel Plated Finish
- PV2F640SS 1P Off-(On)  
Flat Actuator, Stainless Steel Body
- PV2H640GG 1P Off-(On)  
High Actuator, Gold Plated Finish
- PV2H640NN 1P Off-(On)  
High Actuator, Nickel Plated Finish
- PV2H640SS 1P Off-(On)  
High Actuator, Stainless Steel Body
- PV2S640GG 1P Off-(On)  
Domed Actuator, Gold Plated Finish
- PV2S640NN 1P Off-(On)  
Domed Actuator, Nickel Plated Finish
- PV2S640SS 1P Off-(On)  
Domed Actuator, Stainless Steel Body

SPECIFICATIONS SUBJECT TO CHANGE WITHOUT NOTICE