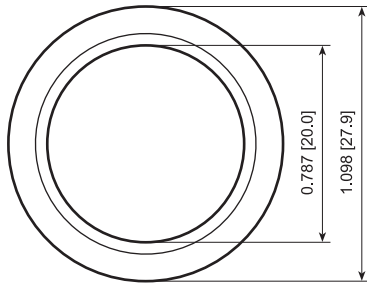
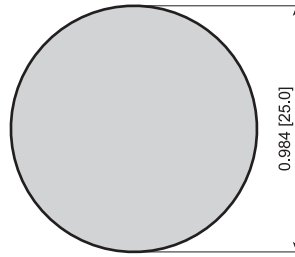


# PV8-Series



### Suggested Panel Cutout



Maximum Panel Thickness 0.551 [14.0mm]

### FEATURES:

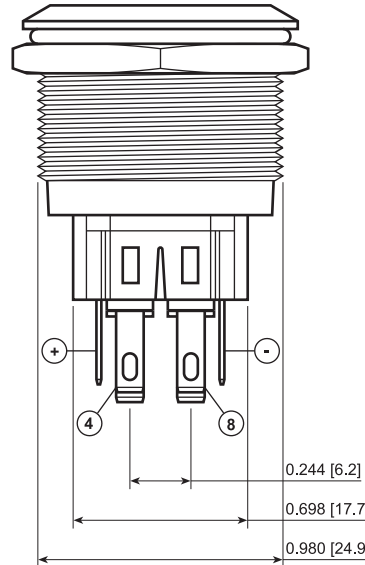
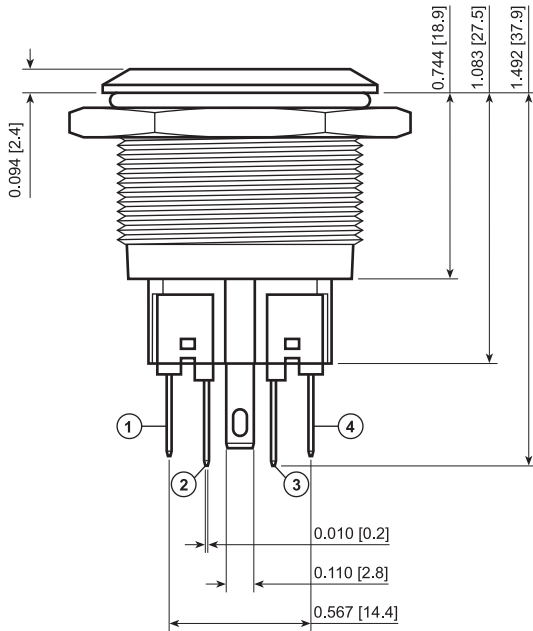
- Vandal Resistant
- Water Resistant
- Long Life Expectancy

### SPECIFICATIONS:

**RATING:** 2A 36VDC  
**TEMPERATURE:** -20°C to 70°C  
**CONTACT RESISTANCE:** 50mΩ Max.  
**INSULATION RESISTANCE:** 1,000MΩ Min.  
**DIELECTRIC STRENGTH:** 2,000VAC  
**MECHANICAL LIFE:** 1,000,000 Cycles  
**ELECTRICAL LIFE:** 50,000 Cycles

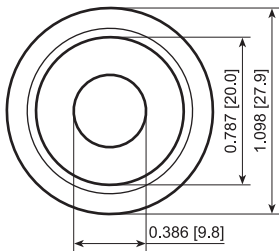
### MATERIALS:

**BUTTON:** Stainless Steel  
 Nickel Plated Brass  
**BODY:** Stainless Steel  
 Nickel Plated Brass  
**BASE:** PBT

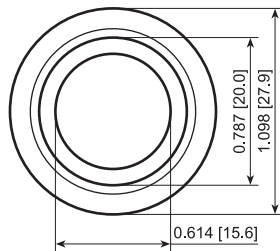


PV8F2V0SS-301

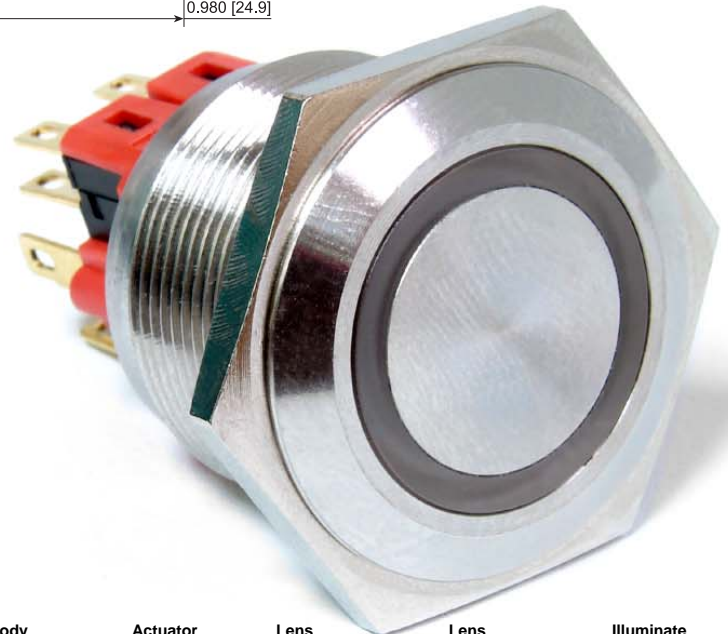
### Lens Style Options



Dot



Ring



SPECIFICATIONS SUBJECT TO CHANGE WITHOUT NOTICE

<b>Series</b> PV8	<b>Actuator Style</b> F - Flat	<b>Terminal Type</b> 2 - Solder	<b>Function</b> Y - 1 Pole, OFF-(ON) 1 Pole, ON-(OFF) V - 2 Pole, OFF-(ON) 2 Pole, ON-(OFF)	<b>Rating</b> 0 - Unrated	<b>Body Finish</b> N - Nickel Plated Brass S - Stainless Steel	<b>Actuator Finish</b> N - Nickel Plated Brass S - Stainless Steel	<b>Lens Style</b> None - Not Illuminated 2 - Dot 3 - Ring	<b>Lens Color</b> None - Not Illuminated 0 - White 1 - Red 2 - Orange 3 - Green 4 - 12V 5 - 24V 6 - Yellow A - White/Red C - White/Green G - Red/Green H - Red/Blue P - Green/Yellow Q - Blue/Yellow	<b>Illuminate Voltage</b> None - Not Illuminated 1 - Base Voltage (2V or 3V) 3 - 6V 4 - 12V 5 - 24V 6 - 125V 7 - 250V
----------------------	-----------------------------------	------------------------------------	---	------------------------------	--	--	--	--	--