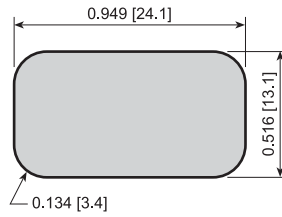
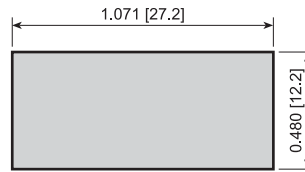


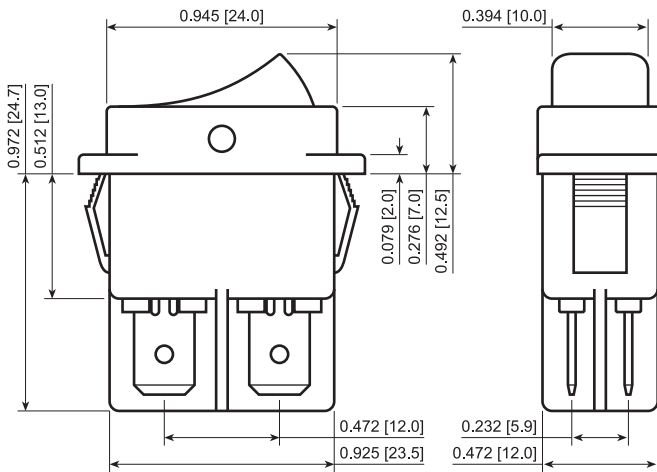
Panel Cutouts



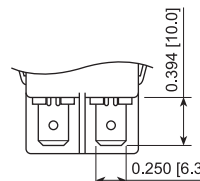
Upper Panel



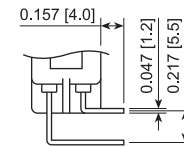
Sub Panel



Terminal Options



6.3mm Tab



Horizontal Bent PCB Pins

FEATURES:

- Sub-Panel Mounting for Bezel-less Designs
- High Ratings with UL and ENEC Approvals

SPECIFICATIONS:

RATING: RATING OPTION C:
 16A 125VAC [UL, cUL]
 1/2HP 125/250VAC [UL, cUL]
 16(4)A 250V~ 1E4 T125/55 [VDE]

TEMPERATURE: -20°C to 105°C [UL, cUL]
 -20°C to 125°C [VDE]

ELECTRICAL LIFE: 10,000 Cycles

CONTACT RESISTANCE: 35mΩ Max.

INSULATION RESISTANCE: 100MΩ Min. at 500VDC

DIELECTRIC STRENGTH: 1,500VAC for 1 Minute

MATERIALS:

Body: Polyamide 6/6, UL94 V-2
ACTUATOR: Polyamide 6/6, UL94 V-2
CONTACTS: Silver Alloy
TERMINALS: Silver Plated Copper



RF142C1121

SPECIFICATIONS SUBJECT TO CHANGE WITHOUT NOTICE

Series	Terminal	Function	Rating	Body Color	Actuator Color	Marking Color	Marking Type
RF1	4 - 6.3mm Tab H - Horiz. PCB	One Pole: 1 - Off-On Two Pole: 2 - Off-On	C - 16A 125VAC	1 - Black 2 - White 3 - Almond 4 - Grey	1 - Black 2 - White 8 - Green 9 - Red	0 - None 1 - Black 2 - White 8 - Red	0 - None 1 - I/O Vert. 3 - ON/OFF Vert. 4 - ON/OFF Horiz.

Custom Colors and Markings Available Upon Request

STANDARD PART NUMBERS:

RF142C1100 2P Off-On
Black Body/Actuator, No Marking

RF142C1121 2P Off-On
Black Body/Actuator, I/O Vert.